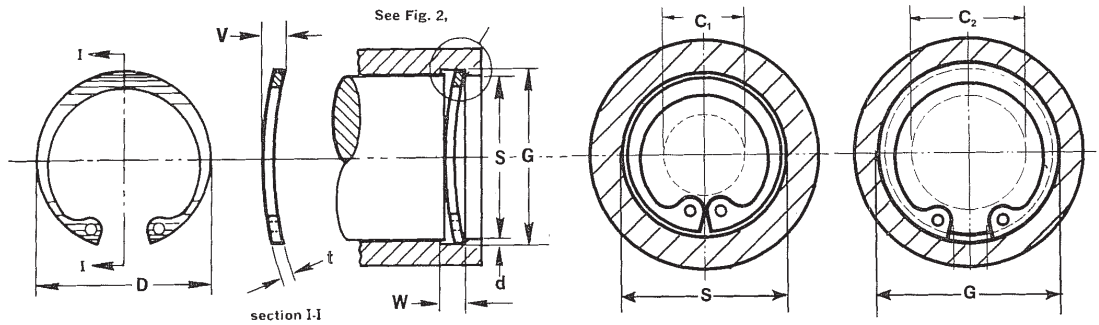




**BOWED  
INTERNAL**



Part Number	Bore Diameter			Ring Dimensions				Groove Dimensions				d	C1	C2	Thrust Load					
	Dec. equiv. inch	Approx. fract. equiv. inch	Approx. mm	Free Dia.		Thickness		Diameter		Width										
				D	tol.	t	tol.	lbs.	G	tol.	W					tol.				
1301-25	0.250	1/4	6.4	0.280	±.010	0.015	±.002	0.08	0.268	±.001 .0015	0.030	+.002 -.000	0.009	0.115	0.133	420				
1301-31	0.312	5/16	7.9	0.346		0.015		0.11	0.330		0.030		0.009	0.173	0.191	530				
1301-37	0.375	3/8	9.5	0.415		0.025		0.25	0.397		0.040		0.011	0.204	0.226	1050				
1301-43	0.438	7/16	11.1	0.482		0.025		0.37	0.461		0.040		0.012	0.230	0.254	1220				
1301-45	0.453	29/64	11.5	0.498		0.025		0.43	0.477		0.040		0.012	0.25	0.274	1280				
1301-50	0.500	1/2	12.7	0.548		0.035		0.70	0.530		0.055		0.015	0.260	0.290	1980				
1301-51	0.512	-	13.0	0.560		0.035		0.77	0.542		0.055		0.015	0.270	0.300	2030				
1301-56	0.562	9/16	14.3	0.620		0.035		0.86	0.596		0.055		0.017	0.275	0.305	2220				
1301-62	0.625	5/8	15.9	0.694		0.035		1.00	0.665		0.055		0.020	0.340	0.380	2470				
1301-68	0.688	11/16	17.5	0.763		0.035		1.20	0.732		0.055		0.022	0.4	0.44	2700				
1301-75	0.750	3/4	19.0	0.831		0.035		1.30	0.796		0.055		0.023	0.450	0.490	3000				
1301-77	0.777	-	19.7	0.859	0.042	1.70	0.825	0.062	0.024	0.475	0.520	4550								
1301-81	0.812	13/16	20.6	0.901	±.015	0.042	±.002	1.90	0.862	±.003 .004	0.062	+.003 -.000	0.025	0.490	0.540	4800				
1301-86	0.866	-	22.0	0.961		0.042		2.00	0.920		0.062		0.027	0.540	0.590	5100				
1301-87	0.875	7/8	22.2	0.971		0.042		2.10	0.931		0.062		0.028	0.545	0.6	5150				
1301-90	0.901	-	22.9	1.000		0.042		2.20	0.959		0.062		0.029	0.565	0.620	5350				
1301-93	0.938	15/16	23.8	1.041		0.042		2.40	1.000		0.062		0.031	0.610	0.670	5600				
1301-100	1.000	1	25.4	1.111		0.042		2.70	1.066		0.062		0.033	0.665	0.730	5950				
1301-102	1.023	-	26.0	1.136		0.042		2.80	1.091		0.062		0.034	0.690	0.755	6050				
1301-106	1.062	1 1/16	27.0	1.180		0.050		3.70	1.130		0.070		0.034	0.685	0.75	7450				
1301-112	1.125	1 1/8	28.6	1.249		0.050		4.00	1.197		0.070		0.036	0.745	0.815	7900				
1301-118	1.181	-	30.0	1.319		0.050		4.30	1.255		0.070		0.037	0.790	0.860	8400				
1301-118	1.188	1 3/16	30.2	1.319		0.050		4.30	1.262		0.070		0.037	0.800	0.870	8400				
1301-125	1.250	1 1/4	31.7	1.388	±.025	0.050	±.004 .005	4.80	1.330	±.004 .005	0.070	+.005 -.000	0.040	0.875	0.955	8800				
1301-125	1.259	-	32.0	1.388		0.050		4.80	1.339		0.070		0.040	0.885	0.965	8800				
1301-131	1.312	1 5/16	33.3	1.456		0.050		5.00	1.396		0.070		0.042	0.930	1.010	9300				
1301-137	1.375	1 3/8	34.9	1.526		0.050		5.10	1.461		0.070		0.043	0.990	1.070	9700				
1301-137	1.378	-	35.0	1.526		0.050		5.10	1.464		0.070		0.043	0.990	1.070	9700				
1301-143	1.438	1 7/16	36.5	1.596		0.050		5.80	1.528		0.070		0.045	1.060	1.150	10200				
1301-145	1.456	-	37.0	1.616		0.050		6.40	1.548		0.070		0.046	1.080	1.170	10300				
1301-150	1.500	1 1/2	38.1	1.660		0.050		6.50	1.594		0.070		0.047	1.12	1.21	10550				
1301-156	1.562	1 9/16	39.7	1.734		+.035 -.025		0.062	±.003		8.90		1.658	±.005 .005	0.100	+.005 -.000	0.048	1.140	1.230	13700
1301-156	1.575	-	40.0	1.734				0.062			8.90		1.671		0.100		0.048	1.150	1.240	13700
1301-162	1.625	1 5/8	41.3	1.804				0.062			10.00		1.725		0.100		0.050	1.150	1.250	14200
1301-175	1.750	1 3/4	44.4	1.942	0.062		10.30	1.858		0.100	0.054	1.26	1.36		15350					

