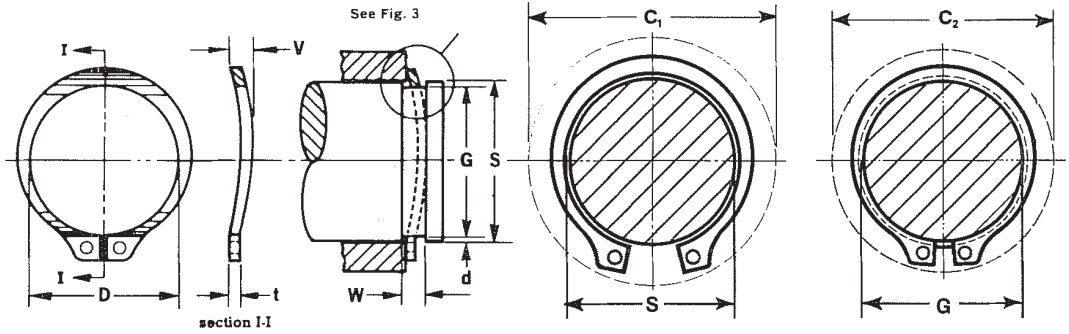




**BOWED
EXTERNAL**



Part Number	Shaft Diameter			Ring Dimensions				Groove Dimensions				d	C1	C2	Thrust Load				
	Dec. equiv. inch	Approx. fract. equiv. inch	Approx. mm	Free Dia.		Thickness		Diameter		Width									
				D	tol.	t	tol.	G	tol.	W	tol.								
1401-18	0.188	3/16	4.8	0.168		0.015		0.06	0.175		0.030		0.006	0.298	0.286	240			
1401-19	0.197	-	5.0	0.179	+.002 -.004	0.015		0.06	0.185	±.0015 .0015	0.030	+.002 -.000	0.006	0.319	0.307	250			
1401-21	0.219	7/32	5.6	0.196		0.015		0.07	0.205		0.030		0.007	0.338	0.324	280			
1401-23	0.236	15/64	6.0	0.215		0.015		0.09	0.222		0.030		0.007	0.355	0.341	310			
1401-25	0.250	1/4	6.4	0.225		0.025		0.21	0.230		0.040		0.010	0.450	0.430	590			
1401-27	0.276	-	7.0	0.250	+.002 -.005	0.025		0.23	0.255	±.002 .002	0.040		0.010	0.480	0.460	650			
1401-28	0.281	9/32	7.1	0.256		0.025		0.24	0.261		0.040		0.010	0.490	0.470	660			
1401-31	0.312	5/16	7.9	0.281		0.025		0.27	0.290		0.040		0.011	0.540	0.520	740			
1401-34	0.440	11/32	8.7	0.309		0.025		0.31	0.321		0.040		0.011	0.570	0.550	800			
1401-35	0.354	-	9.0	0.320		0.025		0.35	0.330		0.040		0.012	0.590	0.570	820			
1401-37	0.375	3/8	9.5	0.338		0.025		0.39	0.352		0.040		0.012	0.610	0.590	870			
1401-39	0.394	-	10.0	0.354		0.025		0.42	0.369		0.040		0.012	0.620	0.600	940			
1401-40	0.406	13/32	10.3	0.366		0.025		0.43	0.382		0.040		0.012	0.630	0.610	950			
1401-43	0.438	7/16	11.1	0.395		0.025		0.50	0.412		0.040		0.013	0.660	0.640	1020			
1401-46	0.469	15/32	11.9	0.428		0.025		0.54	0.443		0.040		0.013	0.680	0.660	1100			
1401-50	0.500	1/2	12.7	0.461	±.002 .004	0.035		0.91	0.468	±.002 .004	0.055		0.016	0.770	0.740	1650			
1401-55	0.551	-	14.0	0.509		0.035		0.90	0.519		0.055		0.016	0.810	0.780	1800			
1401-56	0.562	9/16	14.3	0.521		0.035		1.10	0.530		0.055		0.016	0.820	0.790	1850			
1401-59	0.594	19/32	15.1	0.550		0.035	±.002	1.20	0.559		0.055		0.017	0.860	0.830	1950			
1401-62	0.625	5/8	15.9	0.579		0.035		±.002	1.30		0.588		0.055	0.018	0.900	0.870	2060		
1401-66	0.669	-	17.0	0.621		0.035		±.002	1.40		0.629		0.055	0.020	0.930	0.890	2200		
1401-66	0.672	43/64	17.1	0.621		0.035		±.002	1.40		0.631		0.055	0.020	0.930	0.890	2200		
1401-68	0.688	11/16	17.5	0.635		0.042		+.005 -.010	1.80		0.646		0.062	+.003 -.000	0.021	1.010	0.970	3400	
1401-75	0.750	3/4	19.0	0.693		0.042			±.003 .004		2.10		0.704		0.062	0.023	1.090	1.050	3700
1401-78	0.781	25/32	19.8	0.722		0.042			±.003 .004		2.20		0.733		0.062	0.024	1.120	1.080	3900
1401-81	0.812	13/16	20.6	0.751	0.042	±.003 .004			2.50	0.762	0.062	0.025	1.150		1.100	4000			
1401-87	0.875	7/8	22.2	0.810	0.042	±.003 .004			2.80	0.821	0.062	0.027	1.210		1.160	4300			
1401-93	0.938	15/16	23.8	0.867	0.042	±.003 .004			3.10	0.882	0.062	0.028	1.340		1.290	4650			
1401-98	0.984	63/64	25.0	0.910	0.042	±.003 .004	3.50		0.926	0.062	0.029	1.390	1.340		4850				
1401-100	1.000	1	25.4	0.925	0.042	±.003 .004	3.60		0.940	0.062	0.030	1.410	1.350		4950				
1401-102	1.023	-	26.0	0.946	0.042	±.003 .004	3.90		0.961	0.062	0.031	1.430	1.370		5050				
1401-106	1.062	1 1/16	27.0	0.982	+.010 -.015	0.050			4.80	0.998	±.004 .005	0.070			0.032	1.500	1.440	6200	
1401-112	1.125	1 1/8	28.6	1.041		0.050		5.10	1.059	0.070		0.033		1.550	1.490	6600			
1401-118	1.188	1 3/16	30.2	1.098		0.050		5.60	1.118	0.070		0.035		1.610	1.540	7000			
1401-125	1.250	1 1/4	31.7	1.156		0.050		5.90	1.176	0.070		0.037		1.690	1.620	7350			
1401-131	1.312	1 5/16	33.3	1.214		0.050		6.80	1.232	0.070		0.040		1.750	1.670	7750			
1401-137	1.375	1 3/8	34.9	1.272		0.050		7.20	1.291	0.070		0.042		1.800	1.720	8100			
1401-143	1.438	1 7/16	36.5	1.333		0.050		8.10	1.350	0.070		0.044		1.870	1.790	8500			
1401-150	1.500	1 1/2	38.1	1.387		0.050		9.00	1.406	0.070		0.047		1.990	1.900	8800			
1401-162	1.625	1 5/8	41.3	1.503		+.013 -.020	0.062	±.003	13.20	1.529		±.005 .005		0.096	+.005 -.000	0.048	2.170	2.080	11850
1401-175	1.750	1 3/4	44.4	1.618			0.062		±.003	15.30				1.650		0.096	0.050	2.310	2.210

